



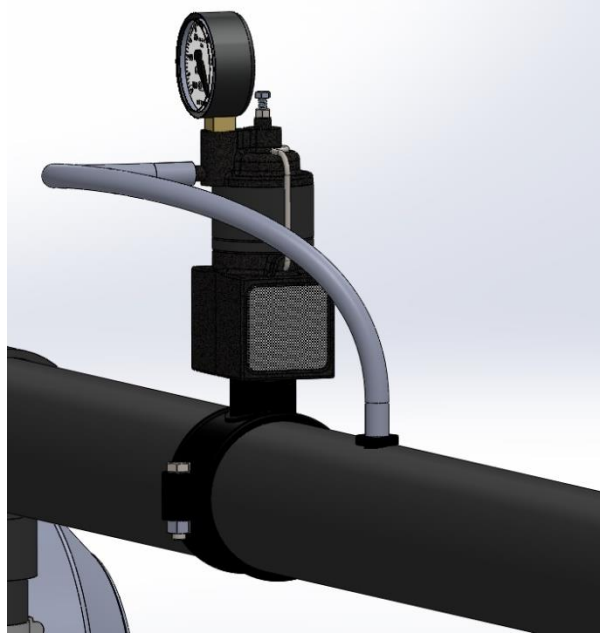
TARIMTAŞ

TARIM ARAÇLARI SANAYİ VE TİCARET A.Ş.



SÜTZER

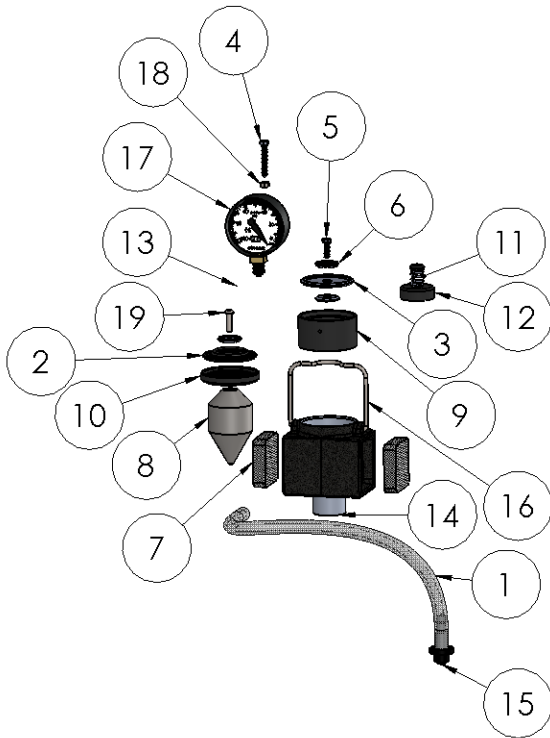
**AUTOMATIC VACUUM REGULATOR
(YPM325)
USER GUIDE & MAINTENANCE
MANUAL**



VACUUMMATIC (AUTOMATIC VACUUM REGULATION)
(PARTS DEFINITION (Code No.153-72-1029-A)
USER GUIDE AND MAINTENANCE MANUAL

Vacuum adjustment range: 35-60 kPa **Capacity:** Max 2200 l/min @ 50 kPa

VACUUMMATIC continuously regulates the vacuum level that is required for milking.
(Default vacuum adjustment is 45 kPa)

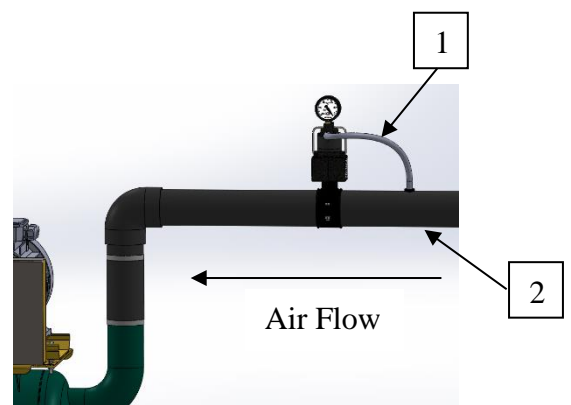


NO.	PART NUMBER	PART NAME	QUAN
1	153-71-1037	6,5X12 PVC HOSE	1
2	153-72-1089	DIAPHRAM WITH HOLE	1
3	153-72-1090	VACUUMMATIC FLAT MEMBRANE	1
4	153-72-1098	ADJUST SCREW	1
5	153-72-1099	VACUUMMATIC ADJUSTMENT SCREW	1
6	153-72-1100	MEMBRANE WASHER PLS	3
7	153-72-1101	FILTER	2
8	153-72-1102	VACUUMMATIC WEIGHT	1
9	153-72-1103-A	MEMBRANE HOLDER UPR	1
10	153-72-1103-B	MEMBRANE HOLDER LWR	1
11	153-72-1104	VACUUMMATIC SPRING	1
12	153-72-1105	VACUUMMATIC BEDDING	1
13	153-72-1106	VACUUMMATIC COVER	1
14	153-72-1126	VACUUM REGULATOR BODY LWR	1
15	153-72-1127	VACUUM REGULATOR NIPPLE	1
16	153-72-1129	REGULATOR COVER SPRING	1
17	153-75-1001	VACUUM GAUGE Ø63 SÜTZER	1
18	Hexagon Nut ISO 4032 - M5 - D - N		1
19	AMB 5 x 0.8 x 20 -N		1

Picture 1

INSTALLATION OF VACUUMMATIC ON TO PIPE

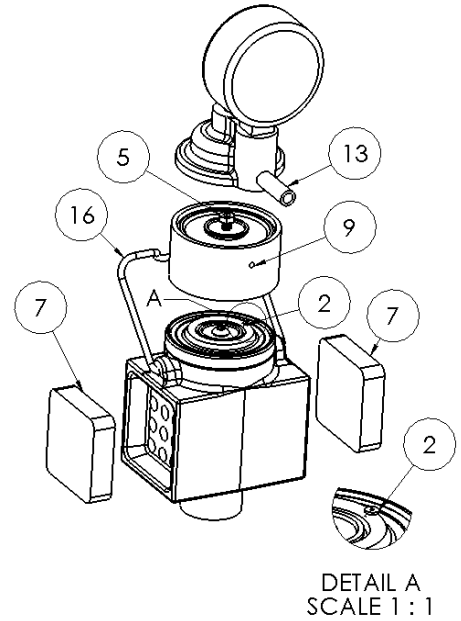
Vacuummatic regulators are to be connected on to the main vacuum line(2) as shown in figure on the right. Regulator shall be positioned as the vacuummeter on top and the thread at bottom, vertical to the ground level. The hose (1) on the side of the vacuummatic with the gauge should be connected from nipple to the vacuum line upstream according to the airflow direction.



Picture 2

VACUUMMATIC CLEANING

- ⇒ Once a month, remove and clean the dust filters (7).
- ⇒ Rotate the main spring (16) and take the upper cover (13).
- ⇒ Clean the air holes (5) at the center of the wide membrane(9) and on the edge of the seat, the air hole of the narrow membrane (2) and the inner air hole on the pipe of cover (13).



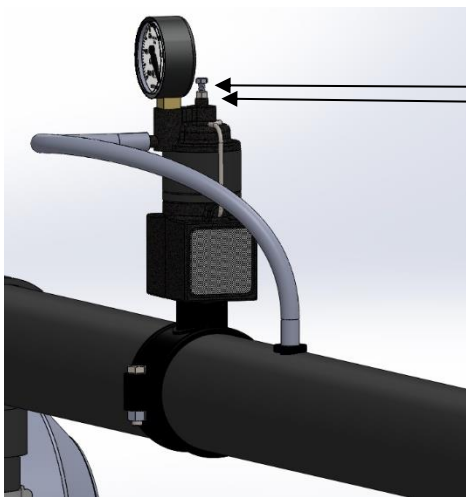
Picture 3

If the vacuum indicator shows a value different from 45 kPa when the machine is in operation, vacuum should be readjusted.

VACUUM ADJUSTMENT

Start up the machine and remove the plastic protection on the Vacuummatic cover.

- ⇒ Loosen the nut by using a spanner (See figure below).
- ⇒ Adjust the indicator to the desired vacuum level by turning the bolt to right or left.
- ⇒ Fix the vacuum by retightening the nut while holding the bolt. Replace the protection.



BOLT

NUT

İMALATÇI FİRMA:



TARIMTAS
TARIM ARAÇLARI SANAYİ VE TİCARET A.Ş.

Deri Organize Sanayi Bölgesi Güderi Cad. No:8 F7 Özel
Parsel Tuzla / İSTANBUL

TEL: 0 216 394 06 75 & 394 06 88 FAKS: 0 216 394 01 20